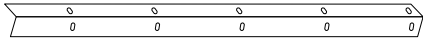


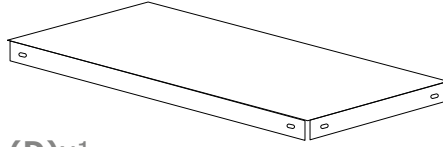
WORKBENCH



(A)x4



(C)x2



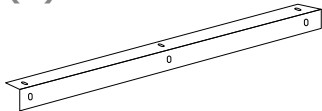
(E)x6

(H)x4

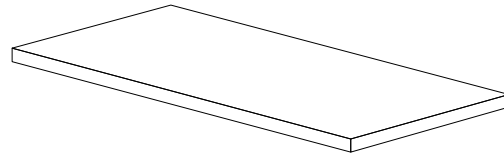
(F)x24

(I)x1

(B)x2



(D)x1

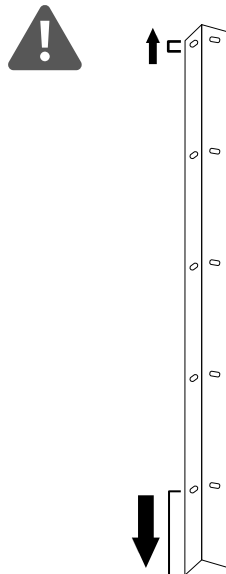


(G)x12

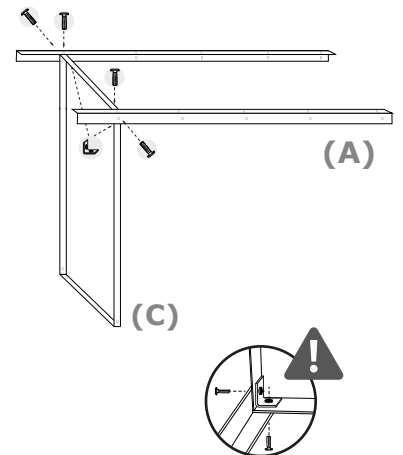
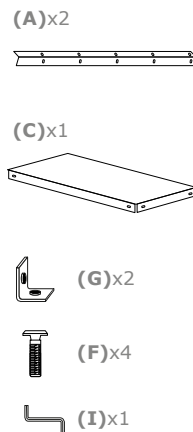
(J)x7



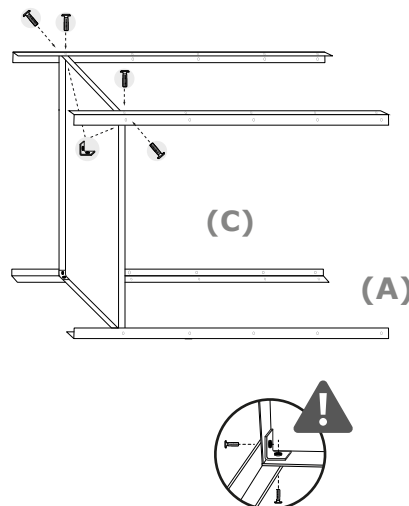
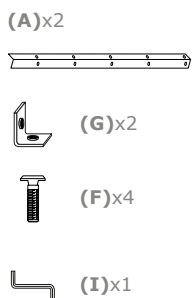
01



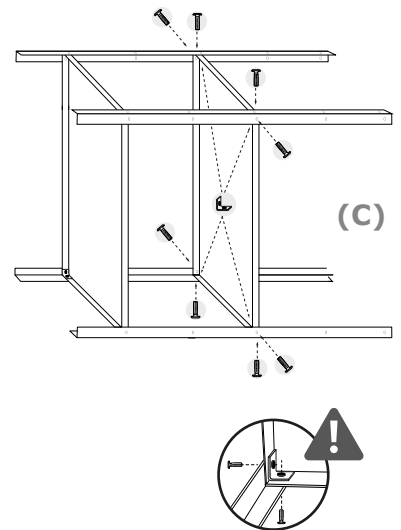
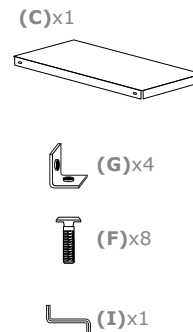
02



03



04



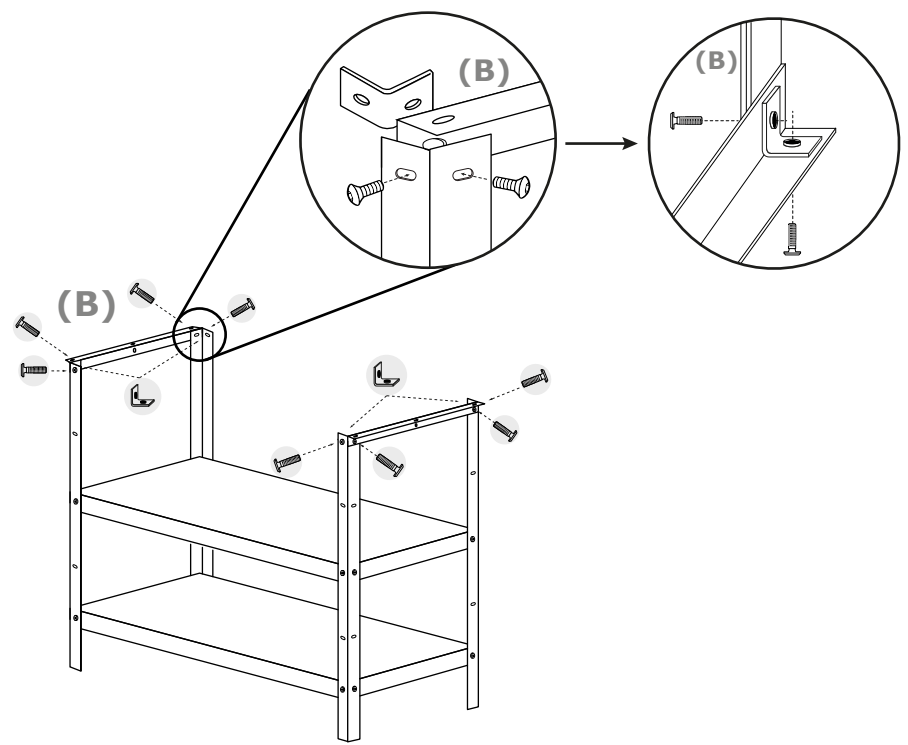
05

(F)x8

(G)x4

(I)x1

(B)x2

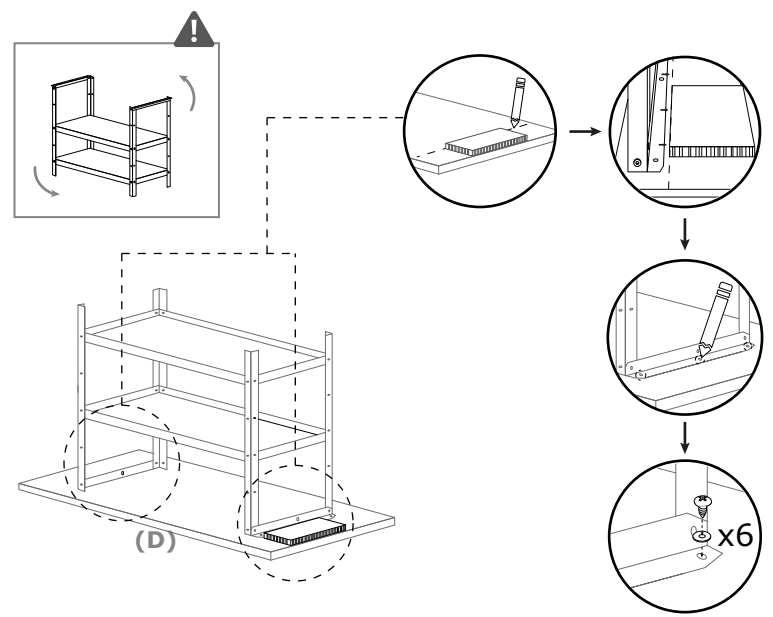


06

(E)x6

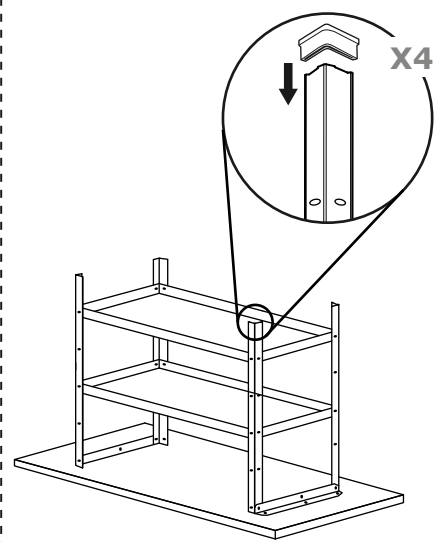
(D)x1

(J)x7



07

(H)x4



08

