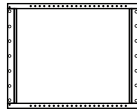




(A)x1



(C)x1



(E)x1



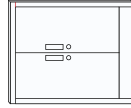
(G)x2



(B)x1



(D)x1



(F)x1



(H)x13



(I)x8



(J)x8



01

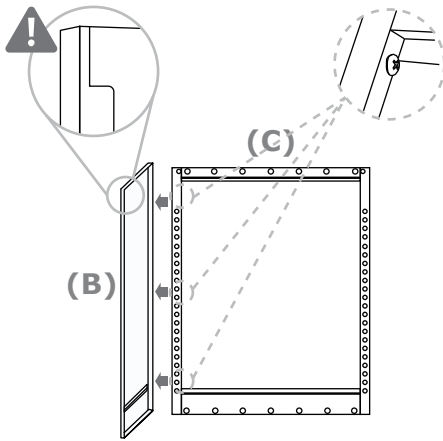
(B)x1



(C)x1



(H)x3

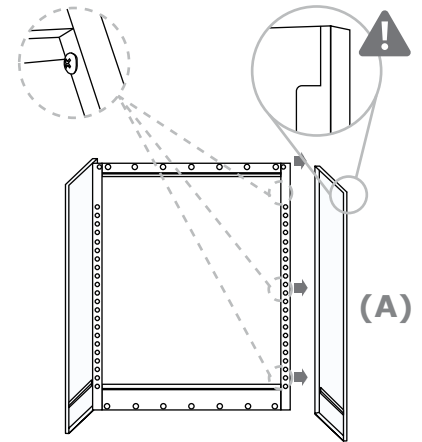


02

(A)x1

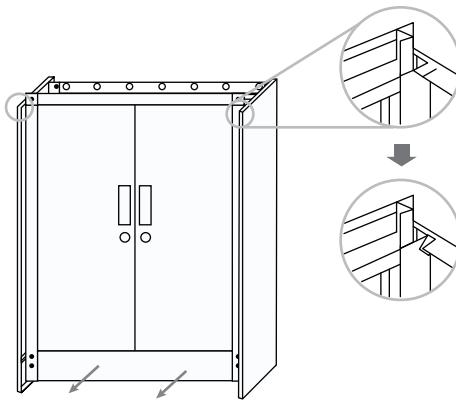
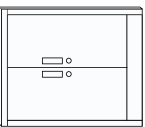


(H)x3



03

(D)x1

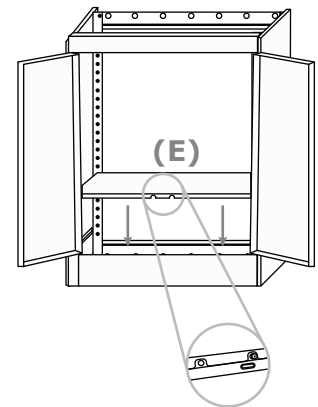


04

(E)x1

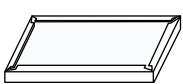


(H)x3

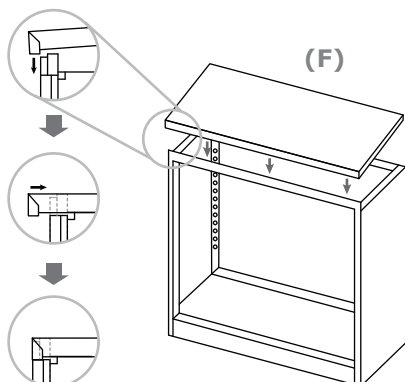


05

(F)x1



(H)x4



06

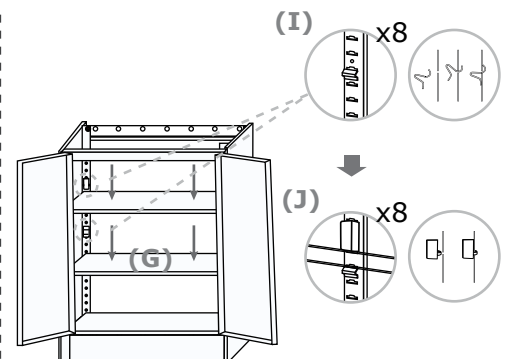
(G)x2



(I)x8



(J)x8



07

