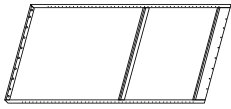




(A)x1



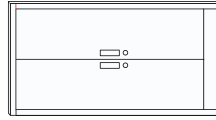
(B)x1



(C)x1



(D)x1



(E)x1



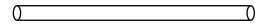
(F)x1



(G)x4



(H)x1



(I)x15

(J)x16

(K)x16



01

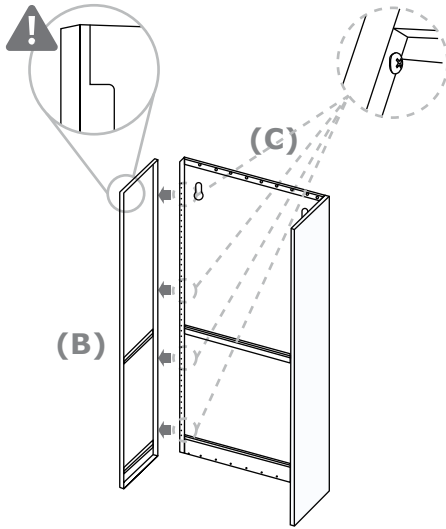
(B)x1



(C)x1



(I)x4

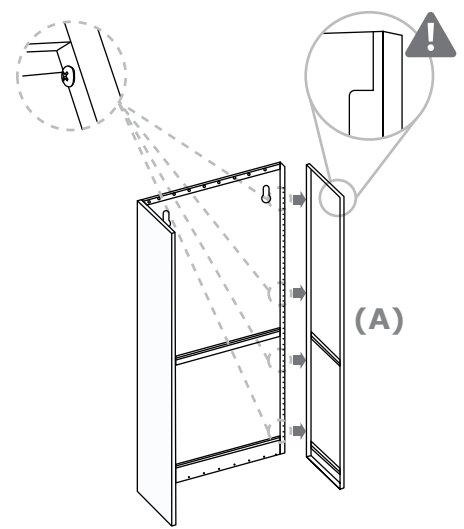


02

(A)x1

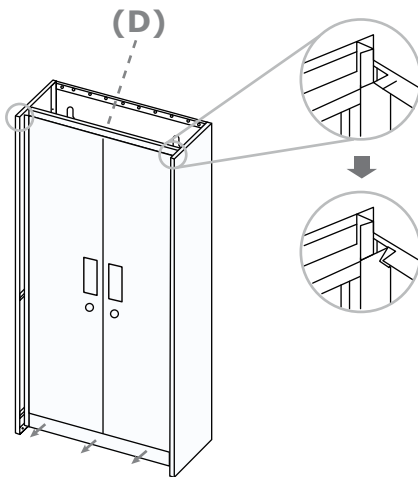
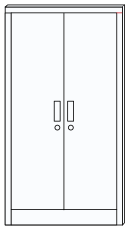


(I)x4



03

(D)x1

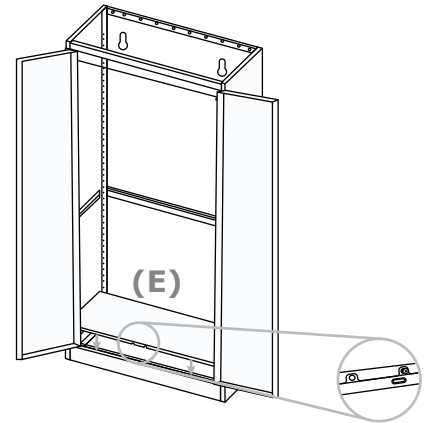


04

(E)x1

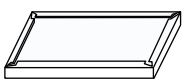


(I)x3

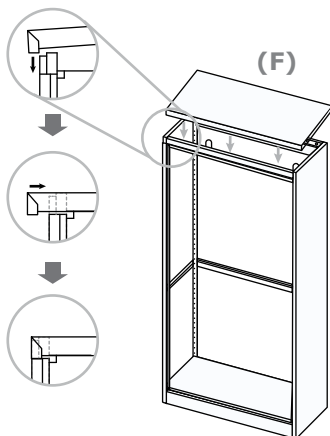


05

(F)x1



(I)x4



06

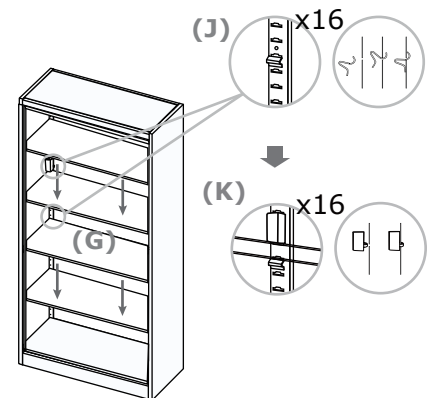
(G)x4



(J)x16

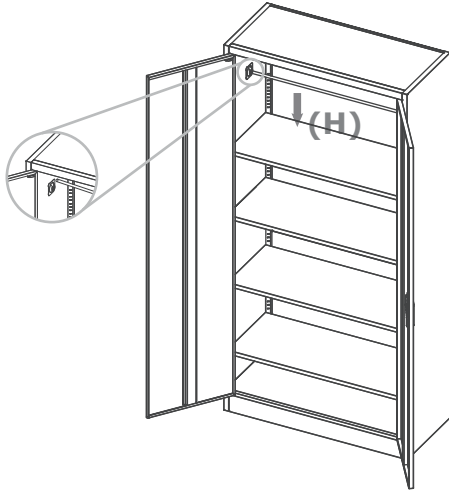


(K)x16



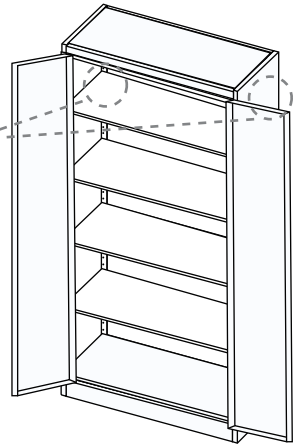
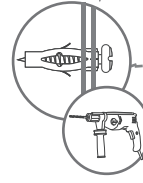
07

(H)x1



08

Ⓜ Not included



09

